

## Omni-ID® Exo 750

Omni-ID Exo 750 is a long range durable RFID tag optimized for attachment to metal assets. Designed with a broad read angle and with a global RF response, Exo 750 is compatible with handheld and portal use cases, anywhere on the globe. Featuring premium materials, Omni-ID Exo 750 offers market leading consistency and reliability in outdoor and industrial applications.

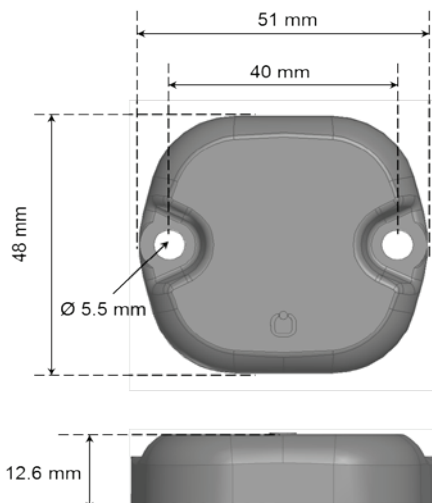
### Building Intelligent Supply Chains

Based on a rugged construction, square footprint and moderate durability, the Exo 750 is ideally suited to RTI applications in:

- ▶ Automotive supply chain.
- ▶ Logistics and Postal.
- ▶ Manufacturing tote tracking.

### Physical Specifications

Encasement	ABS
Size (mm) (tolerance)	51 x 48 x 12.6 (+/-1.0)
Size (in) (tolerance)	2.01 x 1.9 x 0.50 (+/-0.04)
Weight (g)	25.6



Dimensions stated in mm

### RF Specifications

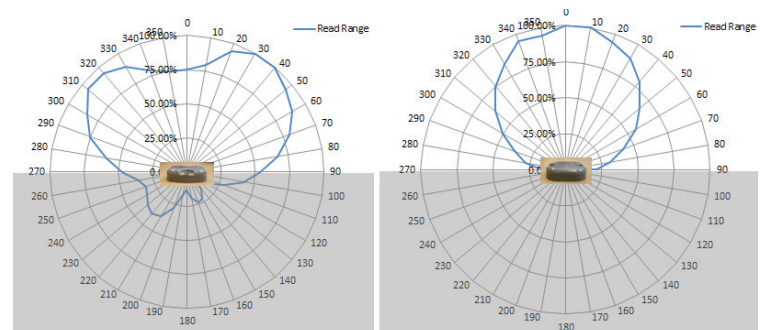
Protocol	EPC Class 1 Gen2
Frequency Range (MHz)	860-930MHz (GS)
Read Range (Fixed reader) <sup>1</sup>	Up to 7m (EU) Up to 11m (US)
Read Range (Handheld reader) <sup>1</sup>	Up to 3.5m (EU) Up to 5m (US)
Material Compatibility	Optimized for metal
IC Type (chip)	Monza 4 QT
Memory <sup>2</sup>	EPC - 96bits User - 512bits TID - 64bits

1. Quoted performance achieved using standard testing methodology. Read range will vary with reader hardware and output power.

2. EPC and User memory are reprogrammable, TID is locked at point of manufacture.

### Radiation Patterns

#### On Metal



## Related Products and Services

- ▶ **Omni-ID Exo 600** - High performance, global RFID tag designed to meet the diverse needs of logistics industries.
- ▶ **Omni-ID Dura 1500** - Long range, high durability and global RFID tag for heavy industry applications.
- ▶ **Omni-ID Exo 800** - Long range passive UHF RFID tag capable of reading on, off, and near metal surfaces
- ▶ **Service Bureau** - Omni-ID offers a full service bureau for printing and pre-encoding Omni-ID tags at point of manufacture.



## Environmental Specifications

Operating Temperature	-40 to +85 °C
Long term Max Temperature <sup>1</sup> exposure - (days,weeks,years)	+85 °C
Short term Max Temperature <sup>1</sup> exposure - (minutes,hours)	+105 °C
IP Rating	IP68 Submersion proof to 3000m depth
Shock & Vibration	MIL STD 810-F
Attachment	Mechanical (std) Film adhesive (option ) Foam adhesive (option)
Certifications	RoHS approved CE approved ATEX/IECEX certified (option) US&Canada (C1D1/D2) certified (option)
Warranty	3 years

1. Excludes adhesive options, consult adhesive data sheets for recommended temperature ratings.

2. Testing methodology available on request

## Ordering Information

Order Numbers	078 - GS :304 (ATEX/IECEX certified) :307 (US&Canada (C1D1/D2) certified) :701 (Standard Service Bureau) :702 (Custom Service Bureau)
---------------	---



Omni-ID office locations: US | UK | China | India | Southeast Asia  
For product or technology inquiries email: [sales@omni-id.com](mailto:sales@omni-id.com)